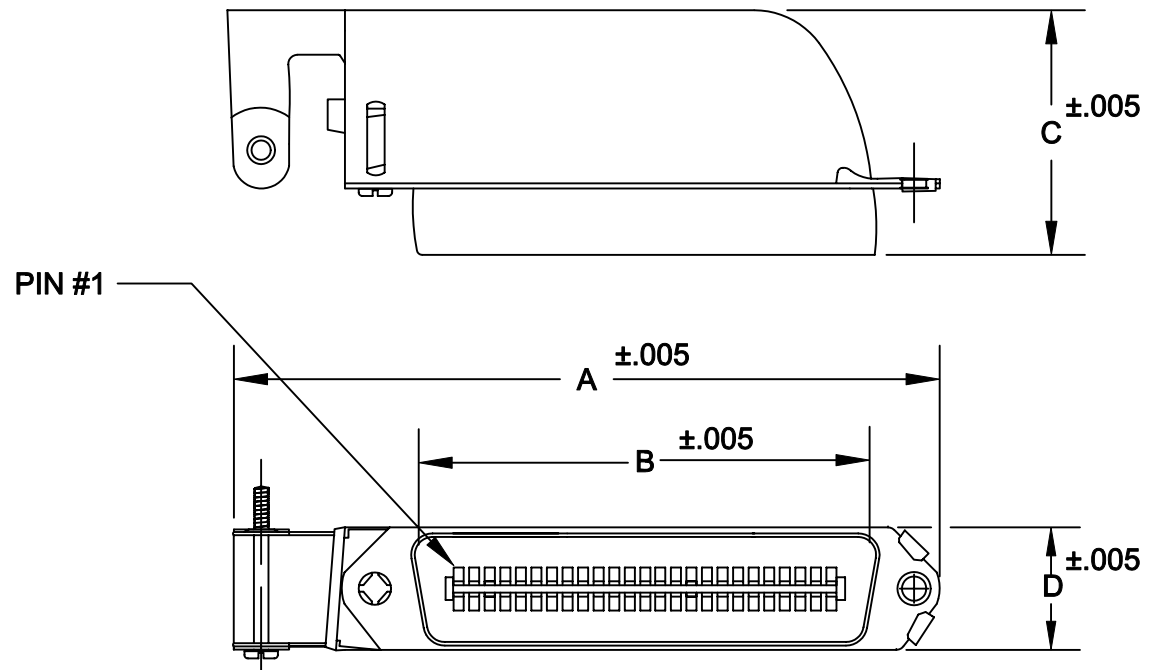


DESCRIPTION: SCSI 1 MALE RIGHT ANGLE CONNECTOR/BACKSHELL KIT

A B C D

36	DISCONTINUED			
50	3.780	2.538	1.325	.646
	96.00	64.47	33.65	16.40



**KIT INCLUDES:
SOLDER CUP CONNECTOR
BACKSHELL/HARDWARE**

112-XXX-103L011

SERIES _____
 POSITIONS _____
 050
 GENDER _____
 1 = MALE
 TERMINATION _____
 0 = SOLDER CUP
 SHELL PLATING _____
 3 = NICKEL
 HARDWARE OPTIONS _____
 01 = PIN #1 AT CABLE ENTRY
 PLATING OPTIONS _____
 01 = GOLD FLASH

MATERIALS:

**INSULATOR: GLASS-FILLED THERMOPLASTIC
 UL RATED 94V-0
 CONTACTS: COPPER ALLOY
 SHELL: STEEL, NICKEL PLATED
 CONTACT PLATING: GOLD PLATED
 RoHS COMPLIANT**

**NOTE: PLEASE NOTE ORIENTATION OF CONNECTOR IN REGARDS TO
 CABLE ENTRY.**

ELECTRICALS:

**CONTACT CURRENT RATING: 5 AMPS
 DIELECTRIC WITHSTANDING VOLTAGE: AC 1200 R.M.S.
 INSULATION RESISTANCE: 1000 mohms MINIMUM AT 500V DC
 CONTACT RESISTANCE: 30 mOHMS MAXIMUM
 OPERATING TEMPERATURE: -55°C TO +125°C**

	THESE DRAWINGS AND SPECIFICATIONS ARE THE PROPERTY OF NorComp AND SHALL NOT BE REPRODUCED, COPIED OR USED AS THE BASIS FOR THE MANUFACTURE OF SALE OF APPARATUS WITHOUT WRITTEN PERMISSION.		DRAWN: WAYNE ROBBINS	DATE: 9-25-98
			CHECKED:	DATE:
<h1>NorComp</h1>		SCALE: 1:1	SHEET 1 OF 1	REV 3
		DWG NO. 112-XXX-103L011		